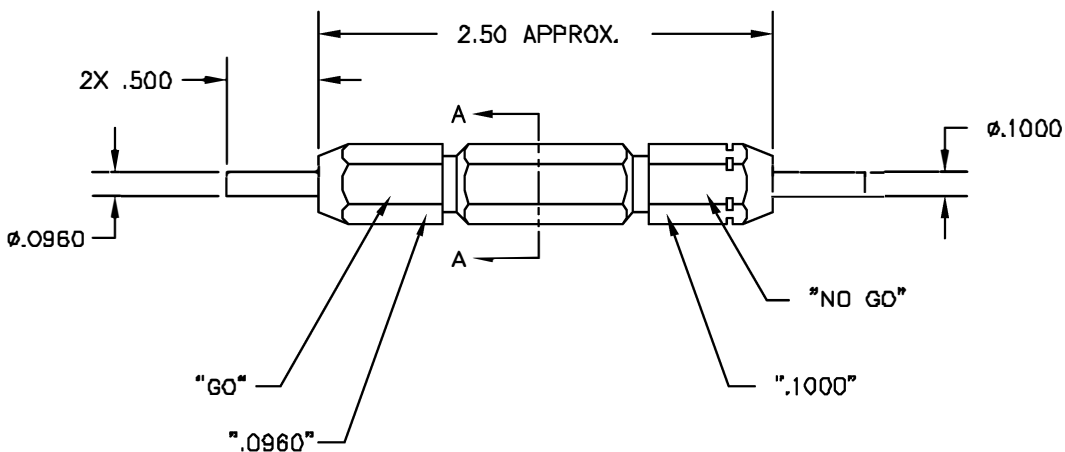


SECTION A-A



REVISIONS				
REV. SYM.	E.C.O. NUMBER	DESCRIPTION	BY DATE	APP'D DATE
1		ORIGINAL RELEASE	JS 12/24/85	RJR 12/28/85

**UNCONTROLLED DOCUMENT  
WILL NOT BE UPDATED**

<b>RESTRICTED &amp; CONFIDENTIAL</b> CONFIDENTIAL PROPERTY OF DANIELS MANUFACTURING CORP. NOT TO BE DISCLOSED TO OTHERS, REPRODUCED OR USED FOR ANY OTHER PURPOSE, EXCEPT AS AUTHORIZED IN WRITING BY DANIELS MANUFACTURING. MUST BE RETURNED TO DANIELS MANUFACTURING CORP. ON COMPLETION OF ORDER OR OTHER PURPOSE FOR WHICH SENT.	MATERIAL	ITEM	PART NO.	QTY.	DESCRIPTION/REMARKS		
	HEAT TREAT	DRW.	JS	DATE	12/24/85		
		CHK'D.	BG	DATE	12/24/85		
	FINISH	APP'D.	DJR	DATE	12/24/85	<b>DMC</b> DANIELS MANUFACTURING CORP. ORLANDO, FLORIDA CAGE 11851  TITLE GO/NO-GO GAGE (M22520/3-2) ENVELOPE DRAWING	
DO NOT SCALE DRAWING		APP'D.		DATE			
		WHERE USED	SIZE	SCALE	CAD P/N	SHEET	OF
			B	NTS	G120-ENV	1	1
		POSTING	P/N		G120-ENV	REV.	1